



NEPTUNE®

Solid Rigid Core Waterproof Floors

Styles

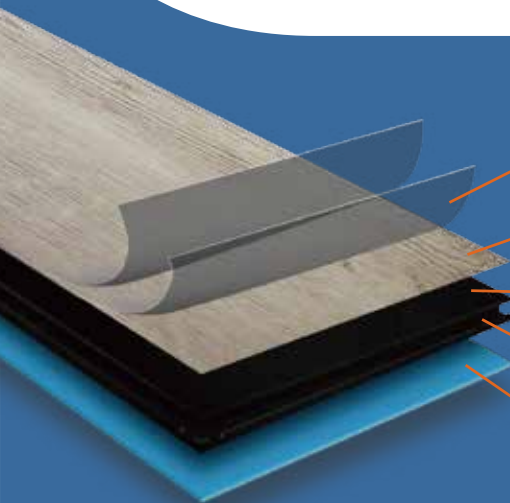




SAND DRIFT OAK

Neptune Flooring Features:

- ➔ 100% waterproof: Perfect for places that are prone to spills
- ➔ Stable to high temperature variations and direct sunlight
- ➔ Fast, easy and clean installation in no time thanks to its tight lock click system
- ➔ Minimum subfloor preparation
- ➔ Floor for all seasons
- ➔ Seamless large area installation up to 400 m²
- ➔ Easy to clean & maintain
- ➔ Quiet, soft and warm underfoot
- ➔ Safe & environmentally friendly: 100% free of Ortho-Phthalates & other harmful substances
- ➔ Kid & pet friendly



MULTI LAYER PROTECTIVE COATING

For extra protection against heavy foot traffic, scuffs and stains

DEEP STRUCTURED DECORATIVE LAYER

Giving Neptune the look & feel of hardwood

SOLID RIGID CORE

100% Waterproof | Stable & Rigid | Dent Resistant | Ortho-Phthalates Free

TIGHT LOCK CLICK SYSTEM

For fast & Easy Installation

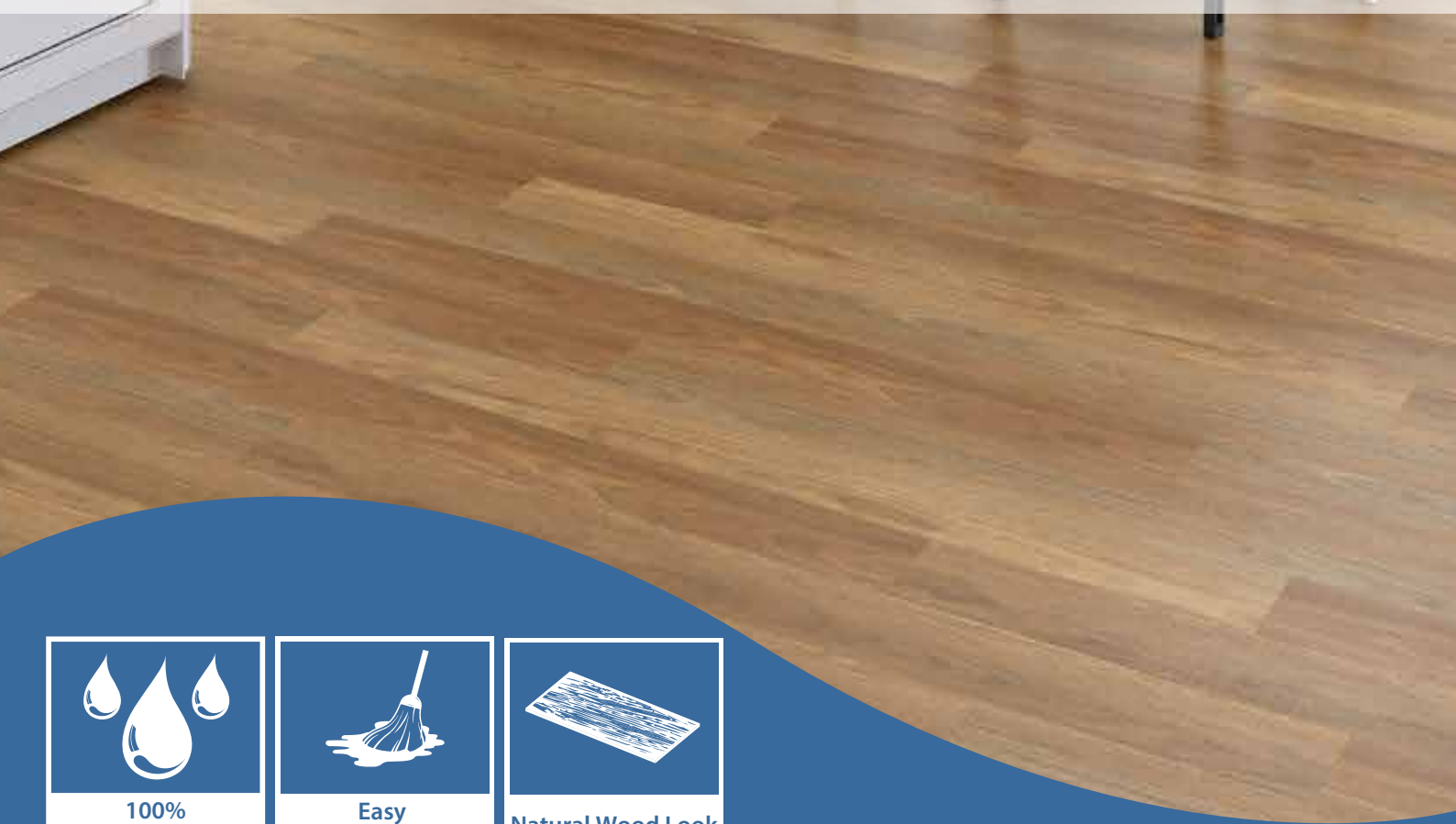
PRE-ATTACHED SOUND ABSORBING PAD

For extra protection, sound absorption & an extra soft underfoot



STABLE

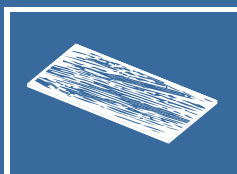
- Durable construction
- Waterproof



**100%
Waterproof**



**Easy
Maintenance**



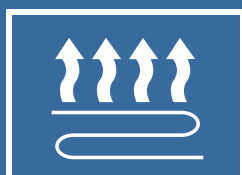
Natural Wood Look

RIGID

- Superior indentation resistance
- No telegraphing of small subfloor imperfections



Extra Impact
Resistant Surface



Suitable For
Underfloor Heating

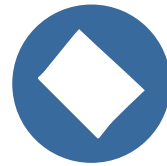
FLOATING INSTALLATION

- Easy-to-install click system
- Installs over most existing subfloors



HEALTH & SUSTAINABILITY

Health & sustainability are the No.1 priorities. We ensure that Neptune® floors are safe for you, your family, and the environment.



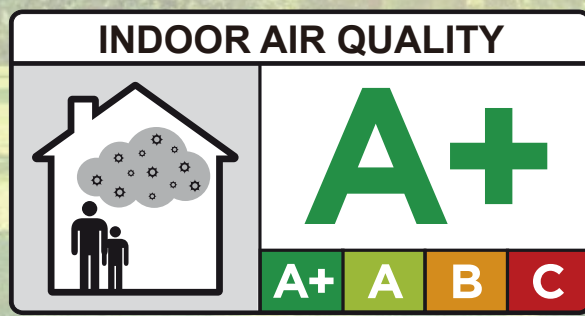
Extra Rigid Core



100% Free Of:
Ortho-Phthalates and
Other Harmful Substances



100% Recyclable



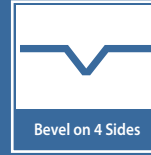
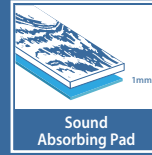
Size: 1235 x 178 x 5.5mm (incl. 1mm Pre-attached IXPE Backing)

Wear layer: 0.30mm

Surface: Natural Wood Look

Bevel: Micro Bevel on 4 Sides

Click: Tight Lock



Colour illustrations are indicative only. Actual product may vary due to batch variations or display limitations.



BLACKBUTT CLASSIC



SPOTTED GUM CLASSIC



HAMPTON OAK



CLASSIC OAK

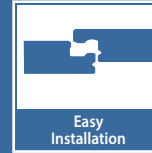
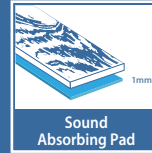
Size: 1235 x 178 x 5.5mm (incl. 1mm Pre-attached IXPE Backing)

Wear layer: 0.30mm

Surface: Natural Wood Look

Bevel: Micro Bevel on 4 Sides

Click: Tight Lock



Colour illustrations are indicative only. Actual product may vary due to batch variations or display limitations.



COASTAL OAK



HERITAGE OAK

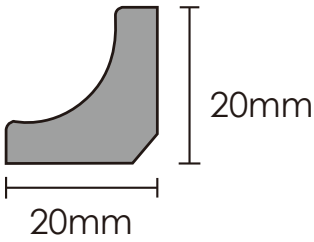
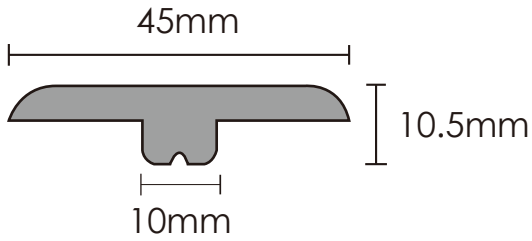


STONE RIDGE OAK



SAND DRIFT OAK

Water Resistant Flooring Accessories

Scotia	T-Mould
	
<p>Dimensions:</p>	<p>Dimensions:</p>
<p>15 x 28 x 2400 mm</p>	<p>10.5 x 45 x 2400 mm</p>

Our Flooring accessories are available in all hybrid plank colours

BLACKBUTT CLASSIC

SPOTTED GUM CLASSIC

HAMPTON OAK

CLASSIC OAK

COASTAL OAK

HERITAGE OAK

STONE RIDGE OAK

SAND DRIFT OAK

Neptune® Room Visualiser



The most advanced AR computer vision tech used to change the floor anywhere in 3 clicks!



Try our quick and easy
Neptune® Room Visualizer

EXCLUSIVE TO
Harvey Norman®



NEPTUNE®

Solid Rigid Core Waterproof Floors

Styles



FOLLOW US



www.neptune-flooring.com